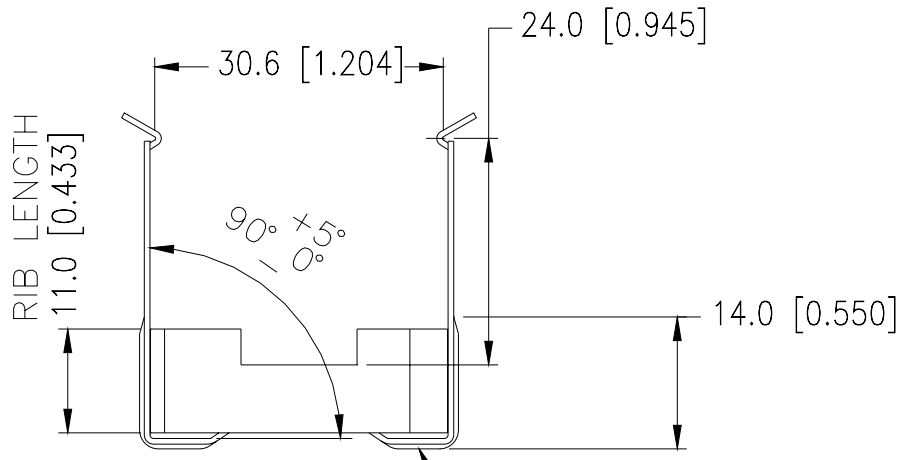
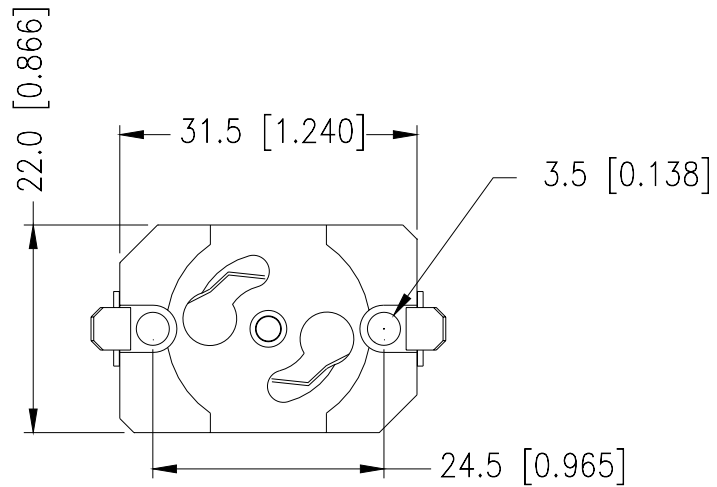


Catalog No.	Description
HH-125-5	Starter Base

A&L Electric Sales
Tomorrows lighting for a Greener Planet



ZINC PLATING
HARDENED STEEL

