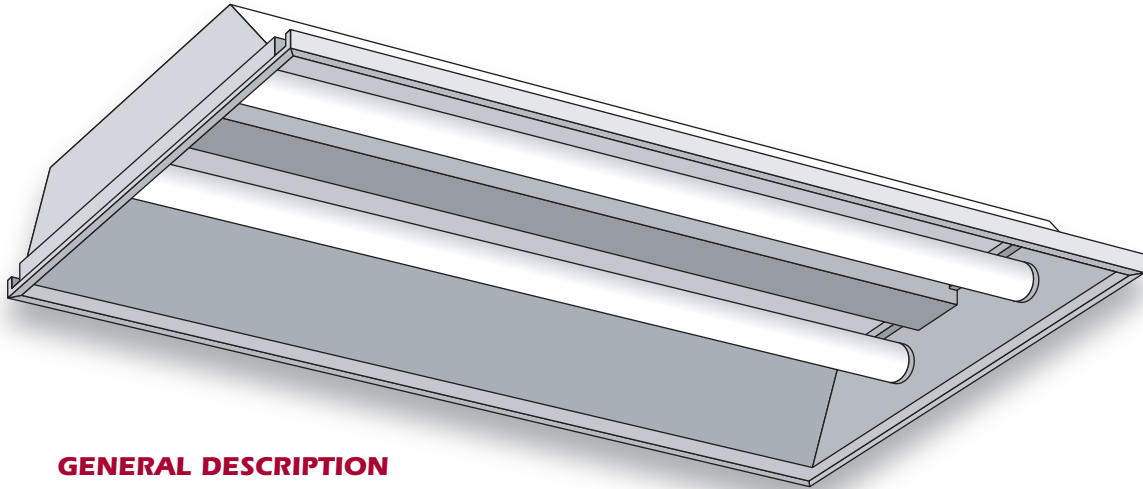


2x2 & 2x4 Lay-In



GENERAL DESCRIPTION

Recessed lay-in 2 x 2 and 2 x 4 fixtures for use with prismatic lenses or celled louvers in exposed T-bar ceilings. The body is the same shape for 2 x 2 and 2 x 4 units.

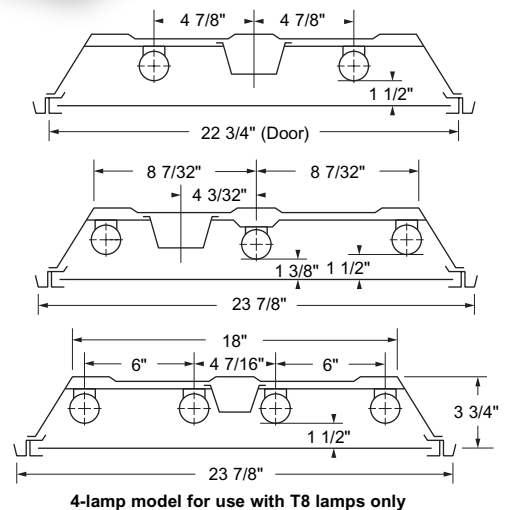
SPECIFICATIONS

Housing: 3- 3/4" deep. Die-formed standard or 20-gauge steel with rounded side flanges for safe handling. Embossed for maximum rigidity. Four corner tie points for safety wire supports.

Ends: Snap into housing and can be additionally secured with #8 x 3/8" screw or 1/8" pop rivet with 1/8" to 3/16" grip (not included). Same ends fit 2 x 2 and 2 x 4.

Socket Plate: Snap-in type, available in 2, 3, 4 and U-lamp. Four-light and U-lamp use the same plate. Sockets are tilted forward to provide positive spring action contact with lamps. Same socket plates fit 2 x 2 and 2 x 4.

Ballast Cover: Snaps in without tools for easy installation.



Finish: White polyester polymer with a minimum of 82% reflectivity.

Diffusers (not included): Prismatic lenses and all types of louvers will easily fit door frame. See separate listing on door specifications.

Access Plate: Snaps in for simple ballast lead hook-up without removing door or ballast cover.

Door Frame: Available in flush steel. Hinges on end from either side of housing and is secured by a rotary cam latch (sold separately). See separate listing for door specifications.

NOTES

Dimensions subject to change without notice.

Catalog No.	Lamps	Voltage	Bulb	Type
LI22-U40	2 T12	120V	U-BEND	Plain
LI22-U40-277	2 T12	277V	U-BEND	Plain
LI22-U40LW	2 T12	120V	U-BEND	Lamp-Whip
LI22-U40LW-DL	2 T12 (Daylite)	120V	U-BEND	Lamp-Whip
LI22-U40LW-277	2 T12	277V	U-BEND	Lamp-Whip
LI22-U40LW-277-DL	2 T12 (Daylite)	277V	U-BEND	Lamp-Whip
LI22-U40LW-EMG	2 T12 (Emergency)	120V	U-BEND	Lamp-Whip
LI22-U40LW-277-EMG	2 T12 (Emergency)	277V	U-BEND	Lamp-Whip
LI22-420	4 T12	120V	F20	Plain
LI22-420LW	4 T12	120V	F20	Lamp-Whip
LI24-240	2 T12	120V	F34	Plain
LI24-240-277	2 T12	277V	F34	Plain
LI24-240LW	2 T12	120V	F34	Lamp-Whip
LI24-240LW-277	2 T12	277V	F34	Lamp-Whip
LI24-340	3 T12	120V	F34	Plain
LI24-340LW	3 T12	120V	F34	Lamp-Whip
LI24-440	4 T12	120V	F34	Plain
LI24-440-277	4 T12	277V	F34	Plain
LI24-440LW	4 T12	120V	F34	Lamp-Whip
LI24-440LW-277	4 T12	277V	F34	Lamp-Whip
LI24-440LW-DL	4 T12 (Daylite)	120V	F34	Lamp-Whip
LI24-440LW-DL-277	4 T12 (Daylite)	277V	F40	Lamp-Whip
LI24-440LW-EMG	4 T12 (Emergency)	120V	F34	Lamp-Whip
LI24-440LW-277-EMG	4 T12 (Emergency)	277V	F34	Lamp-Whip
LI24-440LW-DL-EMG	4 T12 (Daylite) (Emergency)	277V	F40	Lamp-Whip