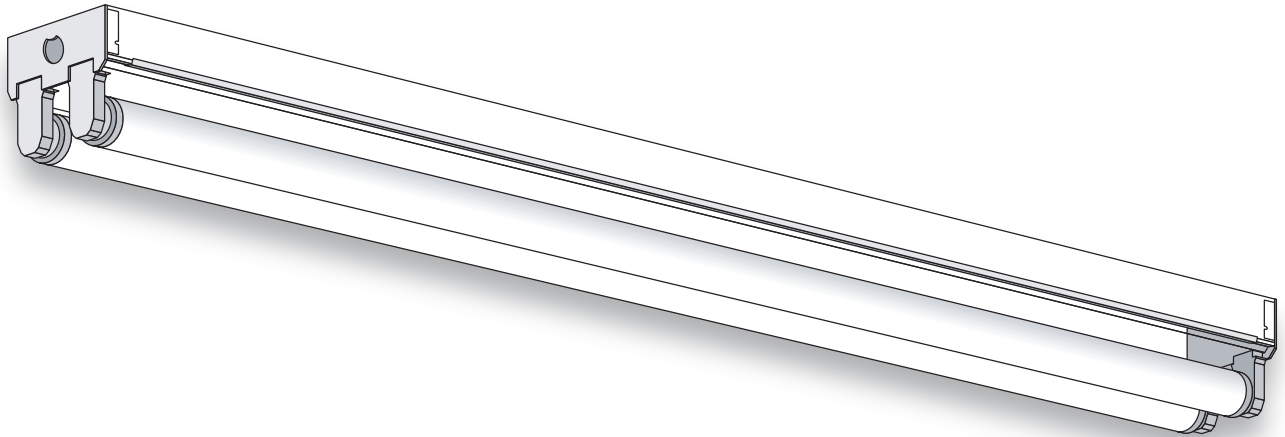


# A & L Electric Sales

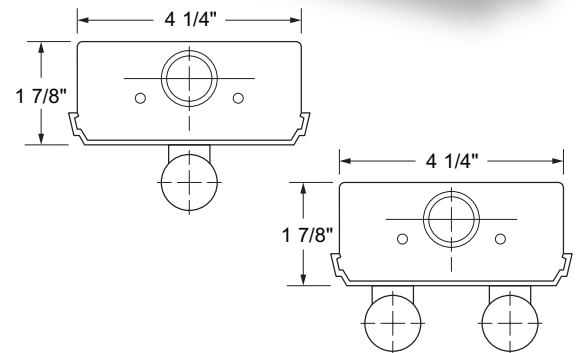
Tomorrows lighting for a Greener Planet

## 2 Light Strip



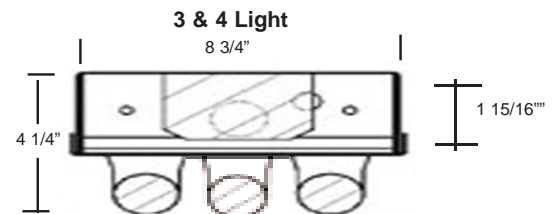
### GENERAL DESCRIPTION

An all-purpose 1- or 2-light economy strip for a wide range of bi-pin and slimline fluorescent lighting applications. All fixture parts snap together for ease of installation and maintenance. Side knockouts are provided for a convenience outlet, a pull switch and conduit. Chain hanger slots are provided on the sides and back.



### SPECIFICATIONS

- Housing:** Die-formed heavy-gauge cold rolled steel.
- Cover:** Snap-on type, fabricated in two sections for 72" and 96" bodies to simplify installation.
- Ends and Socket Plates:** Snap-in type. Ends also function as couplers for continuous row installations.
- Finish:** White polyester polymer with a minimum of 82% reflectivity.
- Mounting:** Designed for surface, stem or chain hanging. Can be installed as individual units or in continuous rows.



### NOTES

Dimensions subject to change without notice.

Catalog No.	Lamps	Voltage	Length	Type
F-S172	1 T12	120V	72"	Slimline
F-S196	1 T12	120V	96"	Slimline
F-S220	2 T12	120V	24"	Bi-pin
F-S220-277	2 T12	277V	24"	Bi-pin
F-S230	2 T12	120V	36"	Bi-pin
F-S230-277	2 T12	277V	36"	Bi-pin
F-S240	2 T12	120V	48"	Bi-pin
F-S240-277	2 T12	277V	48"	Bi-pin
F-S240-EMG	2 T12 (Emergency)	120V-277V	48"	Bi-pin
F-S240RES	2 T12 (Residential)	120V	48"	Bi-pin
F-S248HO	2 T12 HO	120V-277V	48"	HO
F-S2230	4 T12 Tandem	120V	72"	Bi-pin
F-S2230-277	4 T12 Tandem	277V	72"	Bi-pin
F-S272	2 T12	120V	72"	Slimline
F-S272-277	2 T12	277V	72"	Slimline
F-S272HO	2 T12	120V	72"	HO
F-S2240	4 T12 Tandem	120V	96"	Bi-pin
F-S2240-277	4 T12 Tandem	277V	96"	Bi-pin
F-S296	2 T12	120V	96"	Slimline
F-S296-277	2 T12	277V	96"	Slimline
F-S296EMG	2 T12 (Emergency)	120V-277V	96"	Slimline
F-S296HO	2 T12	120V-277V	96"	HO
F-S496	4 T12	120V	96"	Slimline
F-S496-277	4 T12	277V	96"	Slimline
F-S496HO	4 T12	120V-277V	96"	HO